

INSTALLATION INSTRUCTIONS FOR POCKET DOOR SYSTEM

READ ALL THE INSTRUCTIONS BEFORE COMMENCING INSTALLATION

- 1** Ensure you have received the correct product for your application. Once opened or installed the product will not be eligible for return.



WARNING!

Door - Size Chart

Door Size			
Imperial		Metric	
Width (LP)	Height (HP)	Width (LP)	Height (HP)
ft - in	mm	mm	mm
2ft (24")	6ft 6" (78")	610	1981
2ft 3" (27")		686	
2ft 6" (30")		762	
2ft 9" (33")		838	
3ft (36")		914	

Single Door - Size Chart

Installation Size Information					
Clear Opening Size (Walkthrough Area)		Cassette (C)	Structural Opening Size		Finished Wall / Internal Space (FW) / (IS)
Width (L)	Height (H)		Width (L)	Height (H)	
mm	mm	mm	mm	mm	mm
580	1970	600	1290	2080	100/56 - 125/70
656		700	1466		
732		750	1592		
808		900	1818		
884		900	1894		

Double Door - Size Chart

Installation Size Information					
Clear Opening Size (Walkthrough Area)		Cassette (C)	Structural Opening Size		Finished Wall / Internal Space (FW) / (IS)
Width (L)	Height (H)		Width (L)	Height (H)	
mm	mm	mm	mm	mm	mm
1160	1970	600	2480	2080	100/56 - 125/70
1312		700	2832		
1464		750	3084		
1616		900	3536		
1768		900	3688		

Door - Size Chart

Door Size	
Metric	
Width (LP)	Height (HP)
mm	mm
626	2040
726	
826	
926	
1026	

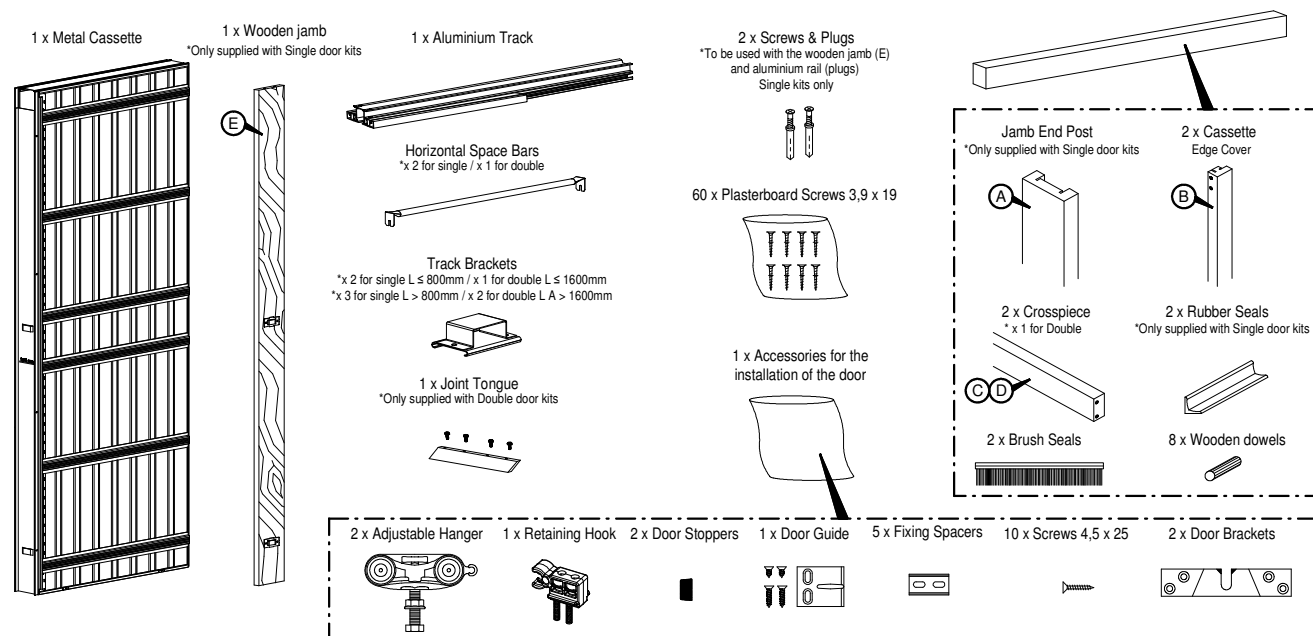
Single Door - Size Chart

Installation Size Information					
Clear Opening Size (Walkthrough Area)		Cassette (C)	Structural Opening Size		Finished Wall / Internal Space (FW) / (IS)
Width (L)	Height (H)		Width (L)	Height (H)	
mm	mm	mm	mm	mm	mm
600	2030	600	1310	2140	100/56 - 125/70
700		700	1510		
800		800	1710		
900		900	1910		
1000		1000	2110		

Double Door - Size Chart

Installation Size Information					
Clear Opening Size (Walkthrough Area)		Cassette (C)	Structural Opening Size		Finished Wall / Internal Space (FW) / (IS)
Width (L)	Height (H)		Width (L)	Height (H)	
mm	mm	mm	mm	mm	mm
1200	2030	600	2520	2140	100/56 - 125/70
1400		700	2920		
1600		800	3320		
1800		900	3720		
2000		1000	4120		

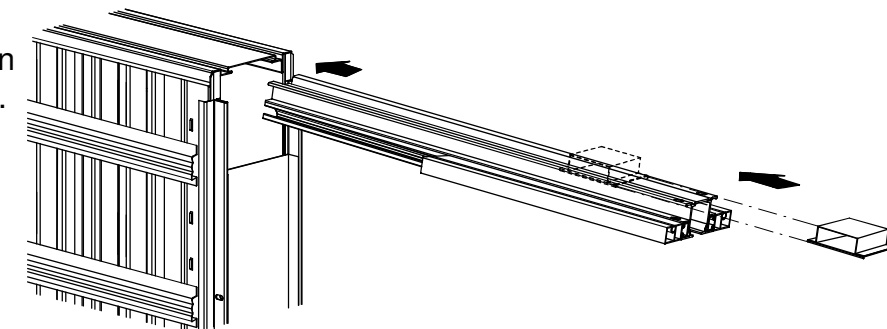
- 2** Check the box to ensure you have received all the required components (parts per box):



FRAME ASSEMBLY

- 1** Insert the aluminium track into the cassette, then insert the supplied track brackets onto the track.

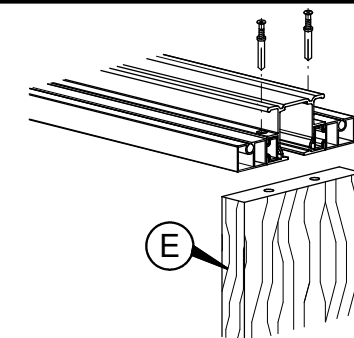
*For Double systems duplicate this for both cassettes and insert the supplied track brackets



2 SINGLE DOORS ONLY

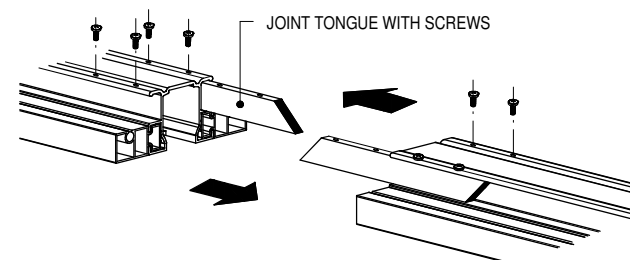
Tap the plugs through the aluminium track into the pre-drilled holes in the wooden jamb (E).

Once in place tighten the screws ensuring a secure fix has been achieved



2.1 DOUBLE DOORS ONLY

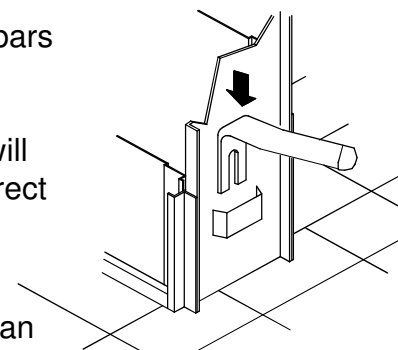
Position the two cassettes opposite each other with the tracks already inserted (Fig1), then join the two tracks by screwing the joint tongues into the pre-drilled holes as shown in the diagram below.



3

Fit the horizontal space bars between the removable protection plate and the wooden jamb (E). This will keep the jamb in the correct vertical position.

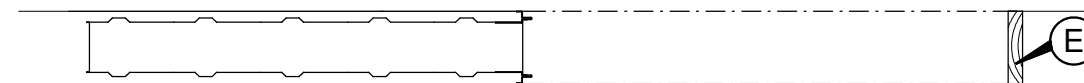
*For double doors the horizontal space bars span the entire length between the cassettes



FITTING THE CASSETTE(S) IN PLACE

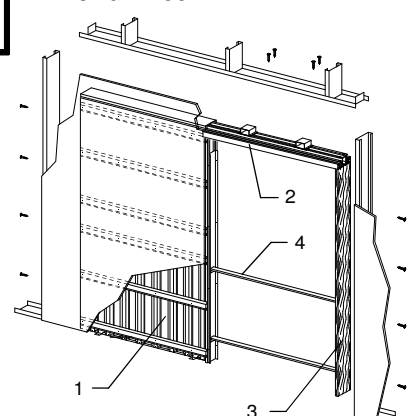
- 1** Insert the cassette(s), track and wooden jamb (E) into the studding.

ALIGN FRAME AND JAMB AS INDICATED IN THE DRAWING BELOW

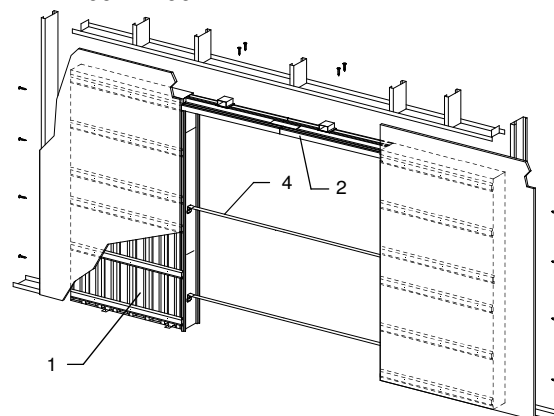


GENERAL OVERVIEW

SINGLE DOOR



DOUBLE DOOR



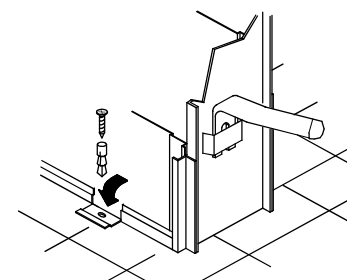
- METAL CASSETTE
- ALUMINIUM TRACK
- WOODEN JAMB
- HORIZONTAL SPACE BARS

- 2** Fold out the fixing plates and secure the cassette to the floor. Insert packers to level if required.
*Fixings not supplied



WARNING!

DO NOT FIX THE CASSETTE AT A HIGHER LEVEL THAN THE FINISHED FLOOR

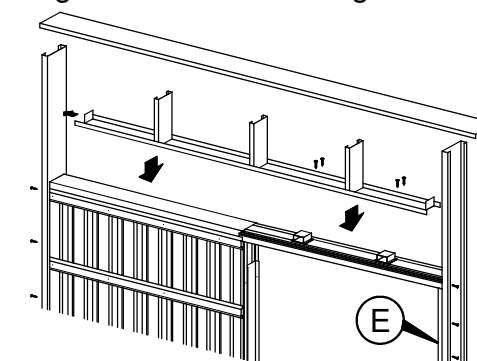


- 3** Secure the cassette, aluminium track and the wooden jamb (E) to the studding as shown in the diagram.
*Fixings not supplied



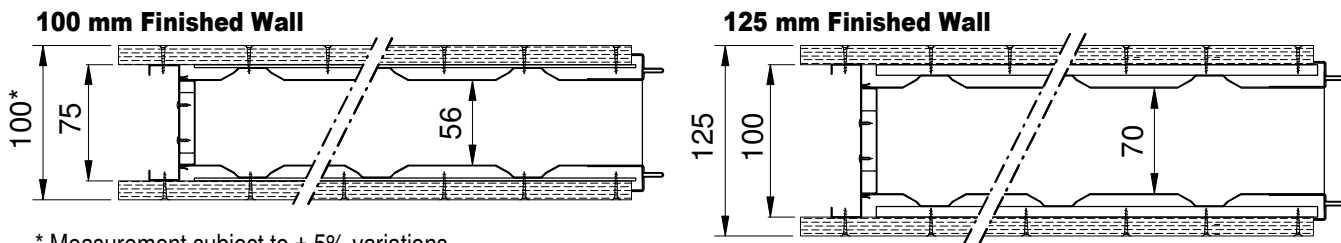
WARNING!

ENSURE SCREWS DO NOT PENETRATE THE POCKET SYSTEM AS THIS WILL AFFECT THE OPERATION



PLASTERBOARDING AND PREPARATION

- Screw the plasterboard sheets to the horizontal mounting plates, using only the supplied screws 3.9x19. Deformed plasterboard sheets must not be used.



* Measurement subject to ± 5% variations



WARNING!

- Ensure screws are only fixed into the horizontal mounting plates
- Avoid Plasterboard sheets finishing along the back verticle edge of the cassette, this will help maximise the strength of the wall
- The plasterboard should rest on top of the plastic profiles on either side of the aluminium track. This will ensure a neat finish is achieved

- The assembly is now ready to be plastered. Once the plasterboard and plaster have been applied the finished wall thickness will be 100/125mm

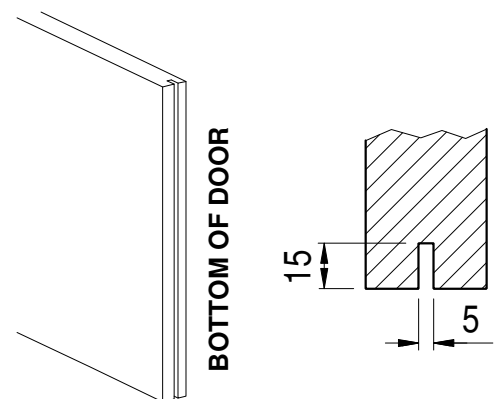


WARNING!

ALLOW THE PLASTER TO FULLY DRY . INSTALLING THE DOOR PRIOR MAY CAUSE DAMAGE TO THE PLASTER

DOOR PREPARATION

- The door will need to have a 5mm router cut in the centre of the door edge bottom to accommodate the floor guide. Some door suppliers may do this before shipping however extra care needs to be made during this process. The cut will need to run the entire width of the door and be 15mm in depth.

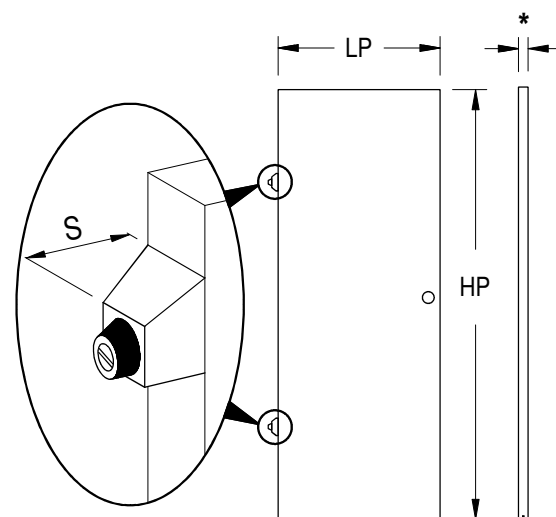


- Rubber stoppers need to be mounted to a piece of timber spacer. This will ensure the door retracts to the correct depth.

Consult the table to Determine the size of the 's' spacer.

Cut a small piece of wood and attach it to the door edge. Then install the rubber stoppers.

DOOR SIZE	LP x HP	S
	mm	mm
	610 x 1981	20
	686 x 1981	44
	762 x 1981	18
	838 x 1981	92
	914 x 1981	16
	626 x 2040	4
	726 x 2040	4
	826 x 2040	4
	926 x 2040	4
	1026 x 2040	4

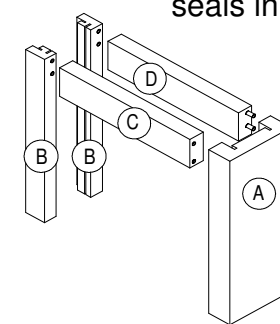


* Door panel for wall 100 mm, max. thickness 40 mm / Door panel for wall 125 mm, max. thickness 44 mm

PREPARING THE JAMBS & END POSTS

SINGLE DOOR

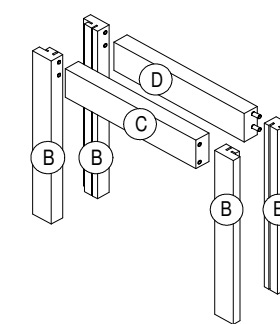
	OPENING SIZE		DOOR			END POSTS		
	L x H	LP x HP	A	B	C / D			
	mm	mm	mm	mm	mm			
IMPERIAL	580 x 1970	610 x 1981			580			
	656 x 1970	686 x 1981			656			
	732 x 1970	762 x 1981	2020	2020	732			
	808 x 1970	838 x 1981			808			
	884 x 1970	914 x 1981			884			
METRIC	600 x 2030	626 x 2040			600			
	700 x 2030	726 x 2040			700			
	800 x 2030	826 x 2040	2080	2080	800			
	900 x 2030	926 x 2040			900			
	1000 x 2030	1026 x 2040			1000			



Consult the table below to cut the cassette edge covers, end post and crosspieces to size, and insert the seals. (brush seals in B and rubber seals in A)

DOUBLE DOOR

	OPENING SIZE		DOOR		END POSTS	
	L x H	LP x HP	B	C / D	B	C / D
	mm	mm	mm	mm	mm	mm
IMPERIAL	1160 x 1970	610 x 1981				1160
	1312 x 1970	686 x 1981				1312
	1464 x 1970	762 x 1981	2020			1464
	1616 x 1970	838 x 1981				1616
	1768 x 1970	914 x 1981				1768
METRIC	1200 x 2030	626 x 2040				1200
	1400 x 2030	726 x 2040				1400
	1600 x 2030	826 x 2040	2080			1600
	1800 x 2030	926 x 2040				1800
	2000 x 2030	1026 x 2040				2000

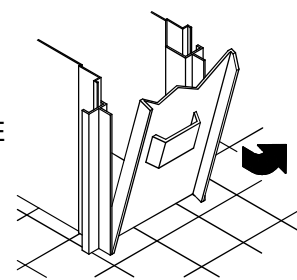


- When the plaster has dried, remove the horizontal space bars and cover plate, clean the internal space within the cassette

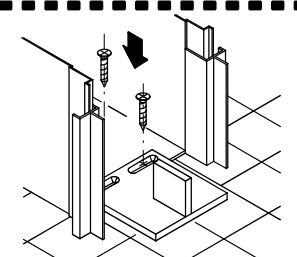
THE COVER PLATE IS RIVETED IN PLACE AND WILL NEED TO BE DRILLED OUT

USE PLIERS TO REMOVE THE METAL BRACKETS FROM WOODEN JAMB 'E'

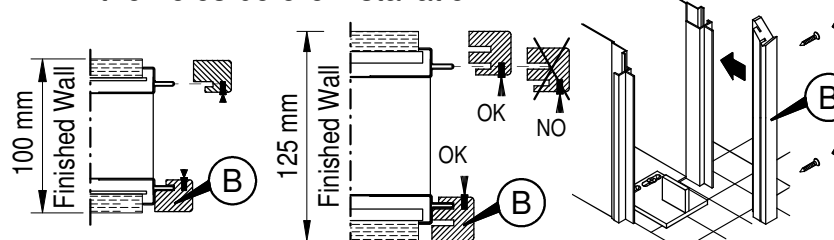
FITTING THE JAMBS & DOOR



- Fit the floor guide using screws 4.2 x 9,5. If the frame is not at floor level use the spacers and the 4.2 x 19 screws supplied

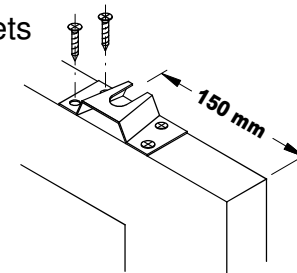


- Fit the cassette edge cover 'B' onto the cassette edge as shown. This is usually fitted on the corridor side or the more visible side. It is helpful to pre-drill the holes before installation

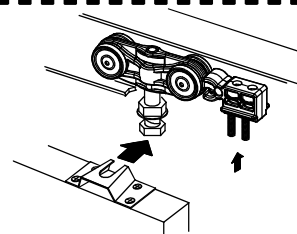


ENSURE CASSETTE EDGE COVER 'B' IS POSITIONED CORRECTLY - AS SHOWN

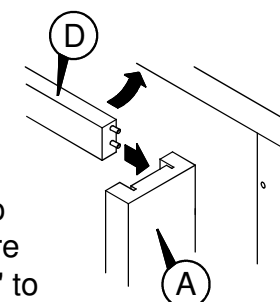
- Fix the two door hanging brackets to the top of the door 150mm away from the door edge (as shown) with the 4.5x25 screws supplied. It is important that the open side of the brackets face jamb 'B' just fitted



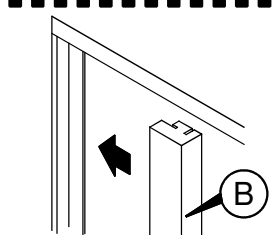
- Fit the adjustable hangers and the retaining hook into the track. Hook on the door and adjust the hangers and retaining hook accordingly



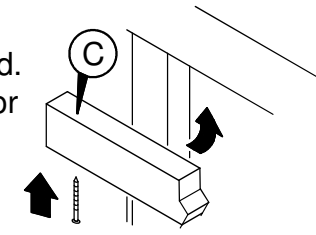
- Slide crosspiece 'D' into the jamb end post 'A' with the dowells provided. Check A's verticle position and fasten to wooden jamb 'E'. Then secure the free end of crosspiece 'D' to the plastic section of the track with a verticle screw from the top



- Fit the remaining cassette edge cover 'B' onto the cassette edge. Ensure the positioning is correct (Fig 3). It is helpful to pre-drill holes

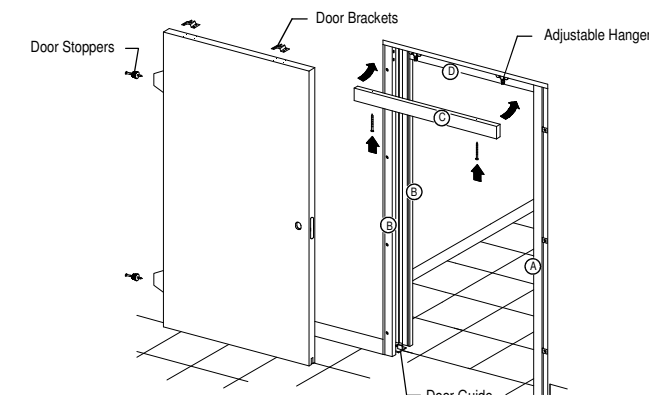


- Secure crosspiece 'C' with vertical screws at each end. This is essential to allow for adjustment and routine maintenance.



*For double doors crosspiece C/D will travel from cassette edge cover 'B' to the opposite edge cover 'B'

INSTALLATION OVERVIEW



The standard installation is now complete. Once adjustments have been made for fine tuning, optional accessories should be fitted. It is preferable to fit these upon initial installation, otherwise architrave and crosspiece 'C' would need to be removed.